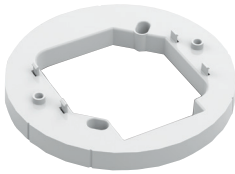




SPP-104-25R (red)
 SPP-104-70 (white)
 SPP-104-25R (red)
 SPP-104-70R (white)



SPPS-104-25 (White)
 SPPS-104-70 (White)
 SPPS-104-70R (Red)
 SPPS-104-25R (Red)
 SPPS-104-25H (High candela White)
 SPPS-104-70H (High candela White)
 SPPS-104-25HR (High candela Red)
 SPPS-104-70HR (High candela Red)



SPKC-W (Optional Spacer)

Description

The ceiling speaker SPP-104 and speaker strobe SPPS-104 Series offer an audible/visual solution that delivers exceptional energy efficiency in a compact design.

Utilizing advanced LED technology, SPPS-104 Series provides a much lower current draw than xenon bulb technology. This in turn allows for more devices on a notification appliance circuit while reducing the number of external power supplies required.

The SPPS-104 speaker strobe and the SPP-104 speaker are designed to meet UL1480, UL1638 / ULC S541, ULC S526 requirements for visual and audible notification appliance.

Mircom's Notification Appliances comply with all agency requirements including the new 2016 edition of NFPA 72.

Features

- Advanced LED technology provides superior current draw performance.
- Speaker only or Speaker Strobe options
- Speaker power setting: ¼, ½, 1, 2 W
- Field selectable candela settings for SPPS-104-25/70 models: 15, 30, 75, 110, 125, 15/75 cd
- High candela option for flexibility
- Field selectable candela settings for SPPS-104-25/70H (high candela) models: 50, 75, 90, 130, 175, 15/75 cd
- Built-in Synchronization
- Spacer (SPKC-W) option for retrofit applications where ceiling back box space is limited.

Benefits

Energy Efficient: Lowest current draw in the market (33mA at 15cd) Allows for a higher capacity of notification devices per circuit and eases external power supply requirements.

Flexibility: Multiple language plastic inserts included with speaker strobes (English/French/ Spanish)

Simple: Trim plate/adaptor kit allows for standard 4" back box use in retrofit applications

Specifications

Operating temperature	0°C to 50° (32°F to 122°F)
Humidity range	0% to 93%
Strobe flash rate	1 Hz (1 flash per sec.)
Nominal strobe voltage	Regulated 24VDC/VFWR
Operating voltage range	16-33 VDC/VFWR
Nominal speaker voltage	25V or 70.7Vrms
Speaker Size	4"
Power Setting	¼, ½, 1, 2 W
Speaker Frequency Range	400-4000 Hz
Terminal wire gauge	12-22 AWG
Optional spacer	MP-113



Audible Ratings

SOUND PRESSURE LEVEL OUTPUT

SPP-104 SERIES				
WATT Tap	UL Reverberant (dBA@10ft)		UL Anechoic (dBA@3m)	
	70	25	70	25
2	89.2	89.2	89.6	89.4
1	86.5	87.4	86.8	86.8
1/2	83.7	84.5	83.9	83.7
1/4	80.5	81.2	80.7	80.5

SPPS-104 SERIES				
WATT Tap	UL Reverberant (dBA@10ft)		UL Anechoic (dBA@3m)	
	70	25	70	25
2	89.0	89.0	87.8	88.2
1	86.7	86.8	85.1	85.6
1/2	84.0	83.9	82.3	82.6
1/4	80.8	80.7	78.9	79.5

Strobe Ratings

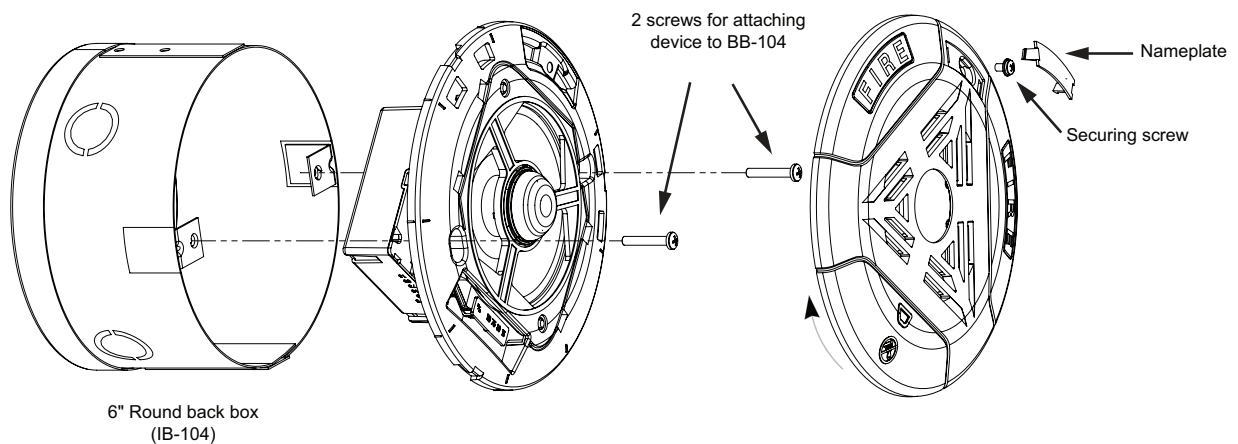
STROBE OPERATION RMS CURRENTS (mA)

SPPS-104 SERIES		
Candela	Regulated 24VDC	Regulated 24VFWR
15	33	33
30	47	43
75	111	100
110	204	186
125	295	277
15/75	112	100

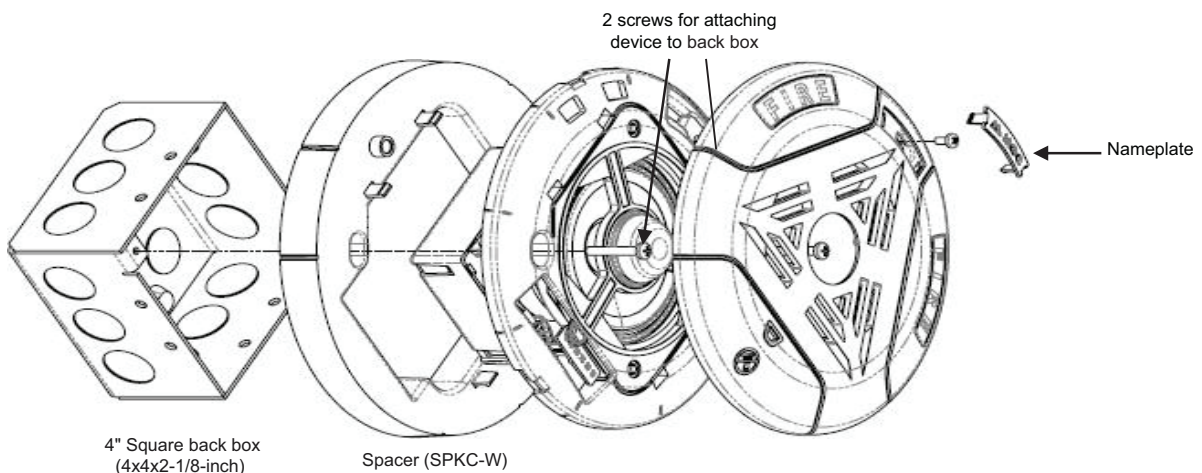
SPPS-104 H SERIES		
Candela	Regulated 24VDC	Regulated 24VFWR
50	54	57
75	78	83
90	100	104
130	159	162
185	343	327
15/75	82	87

Mounting

Ceiling Speaker Strobe mounting with 6" back box (IB-104)

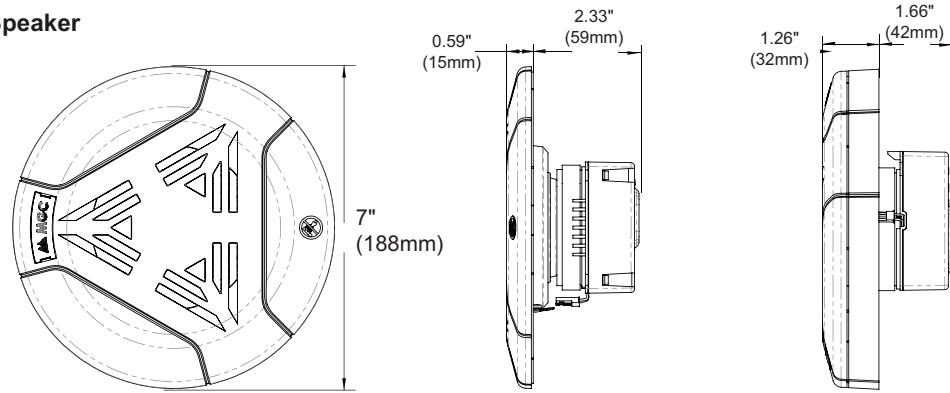


Mounting with optional spacer (SPKC-W) if using a standard 4" square electrical back box



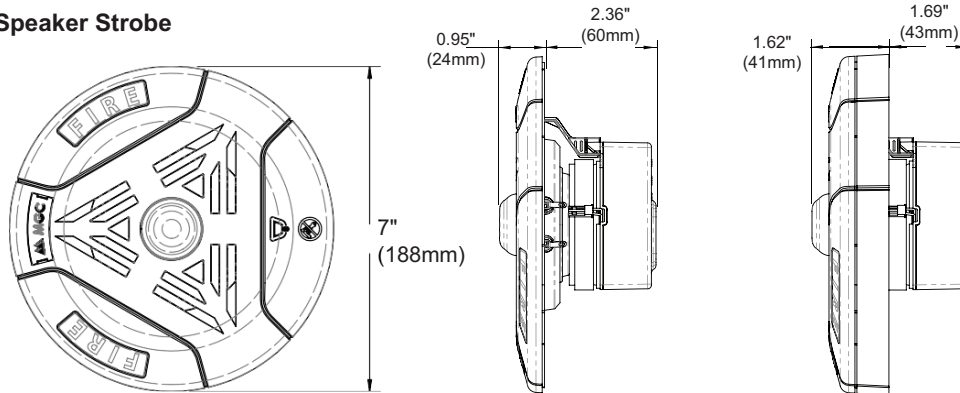
Dimensions

Ceiling Speaker



Dimension with spacer installed

Ceiling Speaker Strobe



Dimension with spacer installed

Ordering Information

Model	Description
SPP-104-25	Ceiling mounted speaker 25V White
SPP-104-70	Ceiling mounted speaker 70V White
SPP-104-25R	Ceiling mounted speaker 25V Red
SPP-104-70R	Ceiling mounted speaker 70V Red
SPPS-104-25	Ceiling mounted speaker strobe 25V White
SPPS-104-70	Ceiling mounted speaker strobe 70V White
SPPS-104-25R	Ceiling mounted speaker strobe 25V Red
SPPS-104-70R	Ceiling mounted speaker strobe 70V Red
SPPS-104-25H	Ceiling mounted speaker strobe 25V with High Candela White
SPPS-104-70H	Ceiling mounted speaker strobe 70V with High candela White
SPPS-104-25HR	Ceiling mounted speaker strobe 25V with High Candela Red
SPPS-104-70HR	Ceiling mounted speaker strobe 70V with High Candela Red
SPKC-W	Optional Spacer for Retrofit or for mounting in a standard 4" square box
IB-104	6 Inch round flush back box



Canada
 25 Interchange Way
 Vaughan, Ontario L4K 5W3
 Telephone: (905) 660-4655
 Fax: (905) 660-4113

U.S.A.
 4575 Witmer Industrial Estates
 Niagara Falls, NY 14305
 Toll Free: (888) 660-4655
 Fax Toll Free: (888) 660-4113



Intertek

THIS INFORMATION IS FOR MARKETING PURPOSES ONLY AND NOT INTENDED TO DESCRIBE THE PRODUCTS TECHNICALLY.

For complete and accurate technical information relating to performance, installation, testing and certification, refer to technical literature. This document contains intellectual property of Mircom. The information is subject to change by Mircom without notice. Mircom does not represent or warrant correctness or completeness.