

Mircom's MS-700MP(U) Series Fire Alarm Manual Stations provide manual fire alarm activation. These high quality, die-cast metal stations are available as single or dual-action devices. They are reset with a key. Each station has a permanently attached MP (Mircom Protocol) addressable module which is configured with a tool (see LT-6146 MIX-4090 Device Programmer for instructions).

Specifications & Dimensions

Compatible with Mircom Fire Alarm Control Panels

Electrical Rating:

- Nominal Operating Voltage: 15-30 VDC
- Maximum alarm current: 3.3 mA
- Standby current: 2 mA

Dimensions:

- MS-702MP: 4.93" H x 3.56" W x 2.56" D
- MS-710MP(U): 4.93" H x 3.56" W x 2.9" D

Notes

- Wire as shown so that supervision of connections is maintained.
- Maximum wire size: 12 AWG
- ADA compliant. To be installed per ADA 4.27.1 to 4.27.4 inclusive.
- All manual fire alarm stations shall be installed as per the specific requirements outlined in the UL/JLC codes, as well as all other applicable national or local codes. Final acceptance is subject to the local authority having jurisdiction.

Installing the manual station

This guide covers these models:

- MS-702MP Intelligent Key-Resettable Two Stage Manual Station MP
- MS-710MP(U) Intelligent Key-Resettable Single Stage Dual Action Manual Station MP

The suffix **U** indicates a USA version.

Contents of kit

- MS-702MP: 4 mounting screws, 2 reset keys (black), 2 stage two keys, 2 plastic rods
- MS-710MP(U): 4 mounting screws, 2 reset keys (black), 2 plastic rods

A. Wiring

Note: The maximum wire size is 12 AWG.

1. Connect the black (-) wire from the previous station to the terminal that is connected to the black (-) wire from the addressable module.
2. Connect the black (-) wire leading the next station to the other side of the terminal that is connected to the black (-) wire from the addressable module.

Note: The wires must be on opposite sides of the set screw. Refer to Figure 2 for the location of the wires.

3. Tighten the (-) terminal.
4. Connect the red (+) wire from the previous station to the terminal that is connected to the red (+) wire from the addressable module.
5. Connect the red (+) wire leading to the next station to the other side of the terminal that is connected to the red (+) wire from the addressable module.

Note: The wires must be on opposite sides of the set screw. Refer to Figure 2 for the location of the wires.

6. Tighten the (+) terminal.

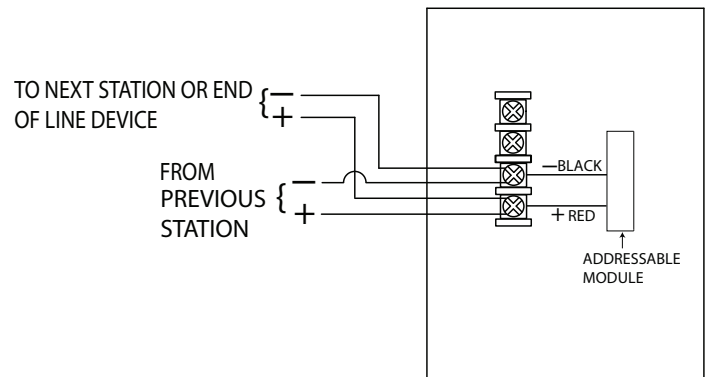


Figure 1: Wiring Diagram

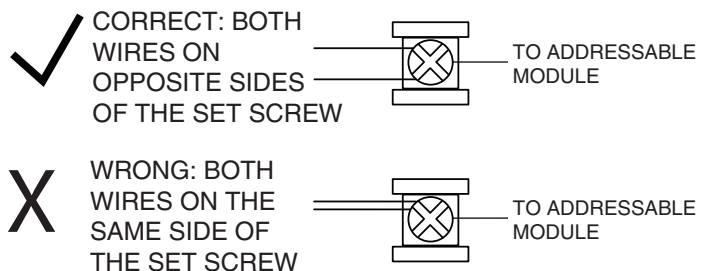


Figure 2: Close-up of terminals showing correct wiring

Canada
25 Interchange Way
Vaughan, ON L4K 5W3
Tel: 1-888-647-2665

U.S.A
4575 Witmer Industrial Estates
Niagara Falls, NY 14305
Tel: 1-888-647-2665

B. Setting the addressable module

Follow the instructions in LT-6146 MIX-4090 Device Programmer.
The factory default address is 255.

C. Mounting

1. Open the station with the reset key.
2. Mount the station to a surface mounted box with 2 of the included screws. Refer to Figure 3.

D. Inserting the plastic rod

Inside the station, there is an opening below the white PULL handle. This is where the plastic rod sits.

1. Pull down the PULL handle part way.
2. Carefully insert the plastic rod into the opening below the PULL handle.
3. Move the PULL handle back to the upright position. The PULL handle should now be holding the plastic rod in place.
4. Close and lock the station.

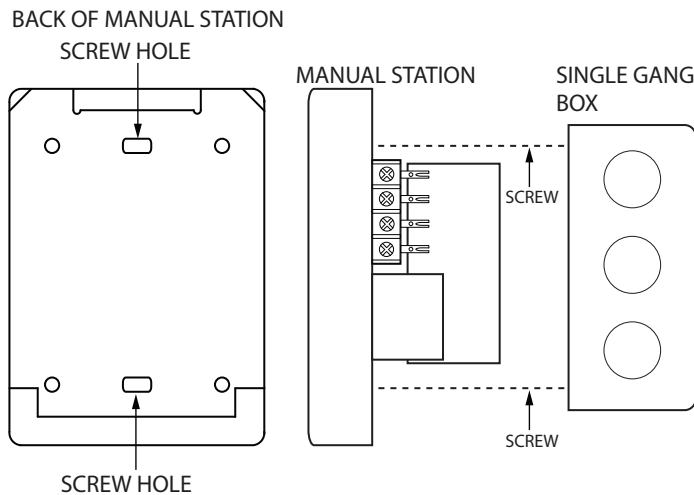


Figure 3: Mounting the manual station

Using the manual station in case of fire

Activating the alarm

- On the MS-702MP, pull down the PULL handle.
- ON the MS-710MP(U), push in the PUSH bar, then pull down the PULL handle.

The handle is now hanging down. A qualified person must reset the station by opening it with the reset key. See **Resetting the manual station** below.

Activating the stage two alarm (MS-702MP only)

- Insert the stage two key into the keyhole above the PULL handle, and then turn the key.

The stage two alarm activates immediately.

Note: The stage two alarm will activate automatically a certain amount of time after the handle has been pulled if no action is taken. This time is set in the Fire Alarm Control Panel.

Resetting the manual station

You use the reset key to open the station in order to reset it.

Note: Resetting the station does not cancel the alarm at the panel.

1. Open the station with the reset key. The switch is now reset.
2. If you want to insert a plastic rod, see **Inserting the plastic rod** above.
3. Move the PULL handle back to its upright position.
4. Close and lock the station.
5. Reset the Fire Alarm Control Panel to cancel the alarm.

Converting Dual Action Manual Stations to Single Action (MS-710MP(U) only):



1. Using a reset key, unlock and open the manual station.
2. Remove the smaller two screws and accompanying brackets fastening the PUSH bar.
3. Hold the manual station vertically with one hand with the keyhole at the bottom. Tilt the manual station towards you and remove the PUSH bar.